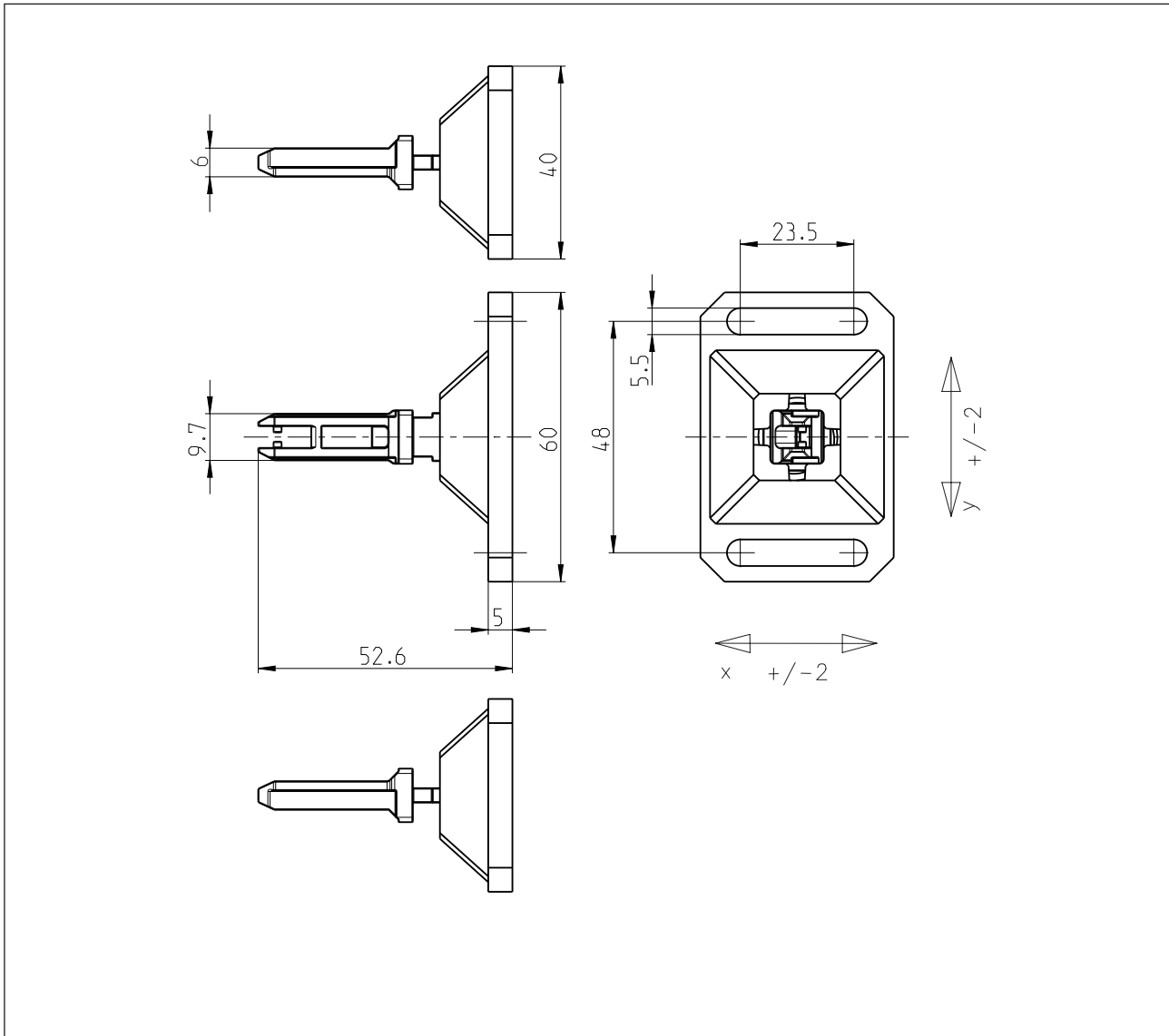


Actuator

Series for Safety switches SLC

Description **ACF-1**

Article number **3911742391**



Mechanical data

Actuator	Edelstahl (Niro)
Enclosure	GD-Zn
Minimum actuating radius	R_{min} 400 mm

Notes

The actuator can be aligned with the mask of the SLC head opening by pressing it in and turning it in 90° steps.